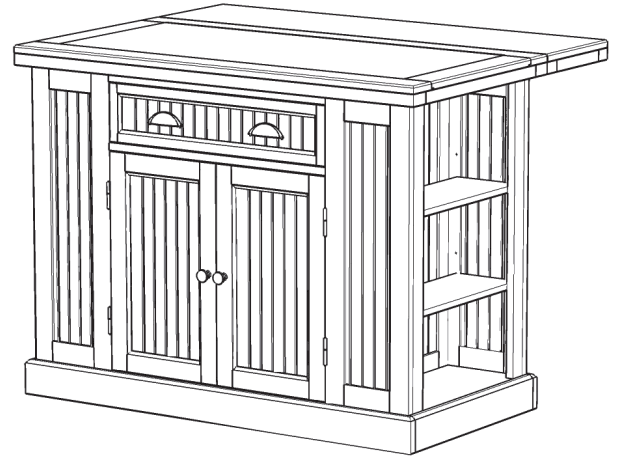


homestyles®

88 5033 941

Kitchen Island



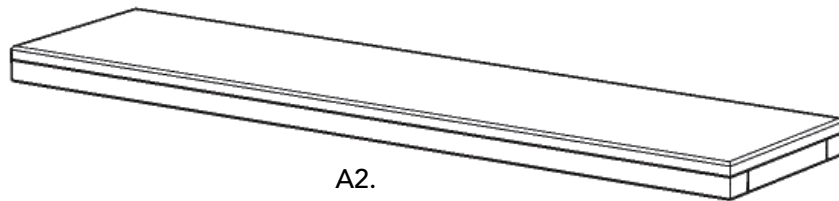
IMPORTANT

Carefully remove all the parts from the carton and place them individually on a soft cloth to prevent scratches or other damage.

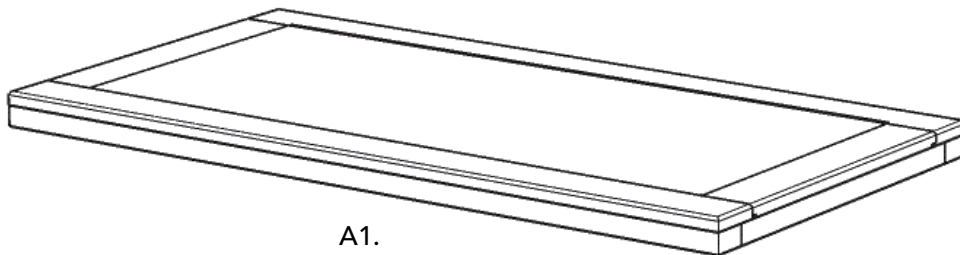
Carefully and strictly follow these assembly instructions to ensure a completed product as designed.

Do not use power tools above 8 volts to assemble.

Part List



A2.
Top
1 pc.



A1.
Top
1 pc.

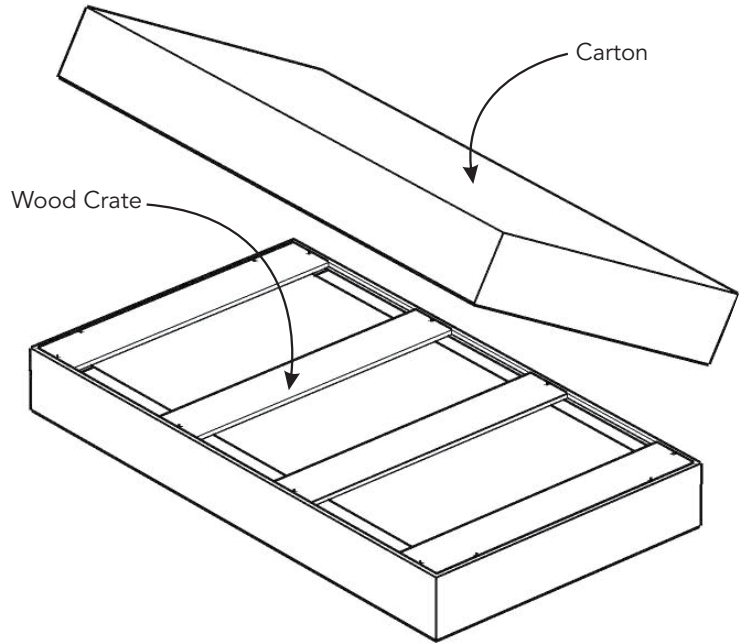
For assembly see instructions in carton 88 5033 942.

Home Styles Customer Service: www.homestyles-furniture.com,
servicedesk@homestyles-furniture.com, 888-680-7460, 877-831-0319

Unpacking Instructions

STEP 1

Open carton.



STEP 2

Remove the wood screws.

Use a hammer to remove the 4X inner upper wood supports. (See Figure 1)

Note: Do not hit the top with the hammer.

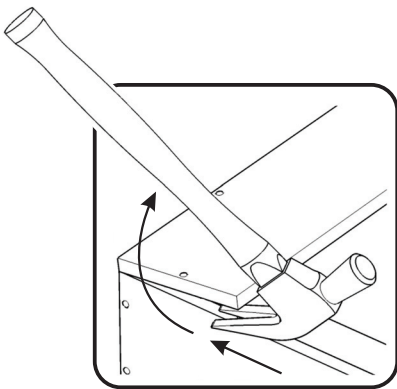
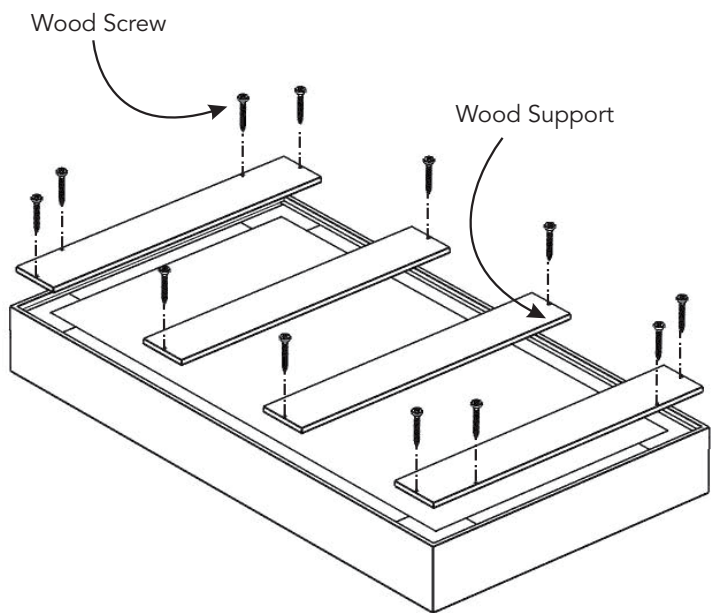


Figure 1

STEP 3

Remove foam, Top (A) and Leaf Top (B).

